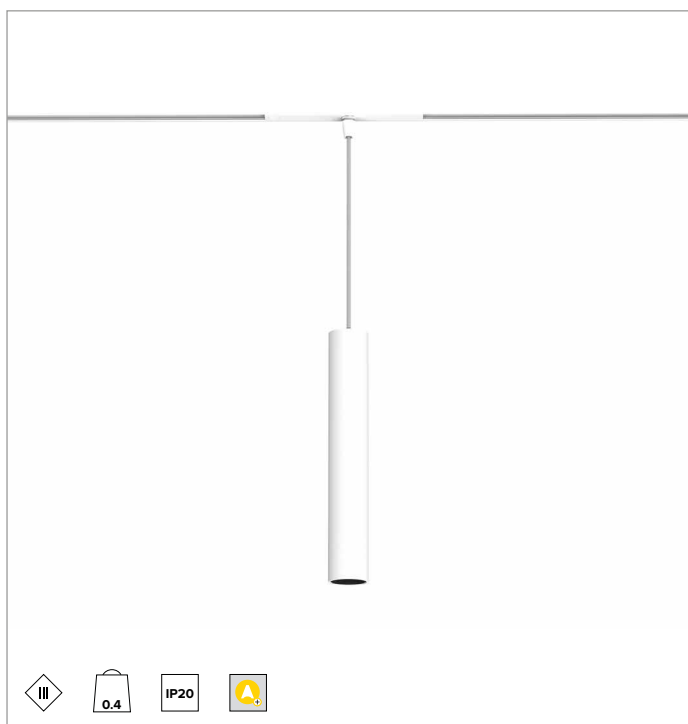
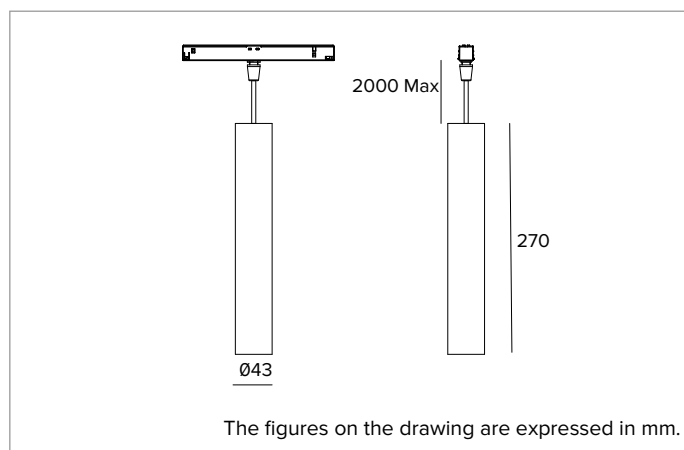


## 1T9919DA | FORTYEIGHT Label 4 - Suspension

### Professional low voltage LED fixture for direct lighting



	3000K	H(m)	D(m)	Emax(lx)
	Ra90		18°	
Fixture Power	8W	1	0.31	3815
Source Flux	889lm	2	0.62	954
Fixture Flux	563lm	3	0.93	424
Efficacy	75lm/W	4	1.24	238
TS1966	Imax=4291cd/klm	Imax	3815cd	5
			1.55	153



#### SOURCE

High efficiency Chip on Board LED Ra90. 3500K on request.

**Energy efficiency class:** F

**Nominal power:** 6,9W

**Nominal flux:** 889lm

**Colour rendering index:** 90

**Rf:** 92

**Rg:** 101

**CCT nominal:** 3000K

**SDCM:** 1.5

**Lifetime (L80/B10):** >50000h tq +25°C

#### ILLUMINOTECHNICAL CHARACTERISTICS

SP Version - metallised polycarbonate precision optics, a holographic diffusion filter and a black silicone cut off ring.

**Optic:** REFLECTOR

**Beam angles:** SP

**Optical efficiency:** 63%

**Fixture flux:** 563lm

**Luminous efficacy:** 75lm/W

**Photobiological safety:** Compliant with RG1 low risk group

#### MECHANICAL CHARACTERISTICS

Cylindrical body in CNC machined aluminum and coated with powder paint.

**Colour and finish:** Plaster white

**Dimensions:** D=43mm

**Weight:** 0.4Kg

**Version:** DALI

**Degree of protection:** IP20

#### ELECTRICAL CHARACTERISTICS

DALI version, track power supply. Casambi control system available using a dedicated accessory.

**Fixture Power:** 8W

**Power supply:** 48Vdc

**Insulation Class:** CLASS 3

**Class F:** YES

**Ambient temperature:** 0°C / +25°C

#### INSTALLATION

Complete with 2000mm long multicore suspension cable in coloured fabric with lenght adjustment system. White feeding cable. Quick coupling system for mounting the product on the track.

#### NOTES

Not polarized fixture. White adapter. 110-277Vac version available on request. Commissioning of the control system via free APP; the intervention of a specialist technician can be quoted on request.

#### WARRANTY

5 years.

#### WARNING

Luminaire designed for disposal/recycling at end-of-life. Replaceable (LED only) light source by a professional. Replaceable control gear by a professional.

*Due to the technological evolution of the electronic components, the data provided may be updated, and as such, confirmation must be requested during the order process.*

*Luminous flux and power supply have +/-10% tolerances with respect to the indicated value. tq +25°C (CIE 121).*

*We reserve the right to make technical changes.*

Targetti Sankey S.r.l.  
Via Pratese, 164  
50145 Firenze - Italy  
Tel: +39 055 37911  
targetti.com  
targetti@targetti.com

CCIAA Firenze  
Share Capital:  
€ 500.000,00  
VAT N. (IT):  
01537660480  
R.E.A: FI-275656

**TARGETTI**